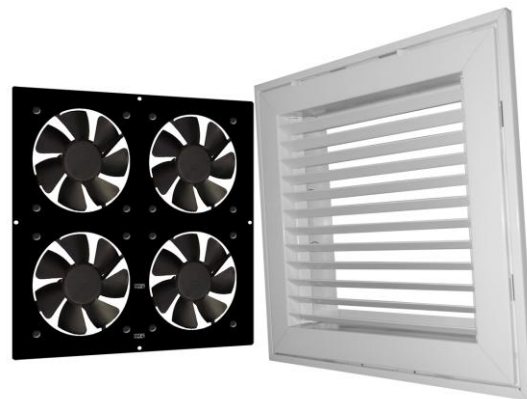


CEILING VENT SYSTEM

PRODUCT SHEET

VS-CVS



PRODUCT CLASSIFICATION:

Venting Product – Room / Closet Ceiling Vent

Definitions: Venting Product Designed to vent and cool a system as a whole. Typical application is to vent equipment closets.

DESCRIPTION:

A professional grade cooling and ventilation product designed for closet and equipment room venting applications. For venting application it includes and utilizes a sleek flush mounted round grill to provide an improved aesthetic compared to bulky and unattractive surface mount grills or exposed fan units. The unit features 4 – 92mm magnetic bearing fans for quiet operation throughout the life of the unit.

INSTALLATION OVERVIEW:

This unit is typically used with the matching duct box (VS-CBD-CVS) which is installed in the ceiling, then the housing installs into the duct box and fan assembly then into the housing. The duct box then is connected via ducting to the HVAC return or simply to vent to another part of the home/building. It is not recommended to vent outside of the home including into attic space (unless a sealed/conditioned attic).

PURCHASING INFORMATION:

The unit includes the metal housing and fan assembly. Additional options include the control options mentioned below and also the duct box (VS-CBD-CVS) and also various ducting accessories.

Also available are High Velocity (HV) and Harsh Environment (HE) versions. The High Velocity is for applications where greater airflow is more important than being silent and would be appropriate for commercial and industrial applications. Harsh Environment units are intended primarily for outdoor or simply wet, dusty, dirty environments and feature an IP68 rating (highest possible protection).

CONTROL OPTIONS:

This unit can be run full time with no controller or it can be turned on and off with a switched outlet on the equipment (if available). Fan speed thus airflow can also be manually controlled via the variable voltage power supply with 7 to 9V used for silent operation and 12V used for more aggressive cooling. This product can also be used with Cool Components controllers. The controllers simply plug inline between the power supply and fan unit. The Basic (TC-BSC) controller provides On/Off control and for most applications for this unit, the 88F degree version would be appropriate (TC-BSC-88). The Advanced LT Controller (TC-ALTv2) provides On/Off and Variable Fan Speed control and has 3 modes/set points (80, 90, 100F degree on/off point) and also features an alarm at 115F. The Advanced System Controllers (TC-ASC & TC-ASC2) feature ‘all the bells and whistles’ (fully programmable, contact closures, trigger...). This unit can also be used with the Ventilation Controller (TC-AVC) which is a high voltage controller and is programmable on/off only control but it would typically be wired to an outlet and then the power supply plugged into that outlet.

The units can also be used with other 12V DC and PWM controllers.



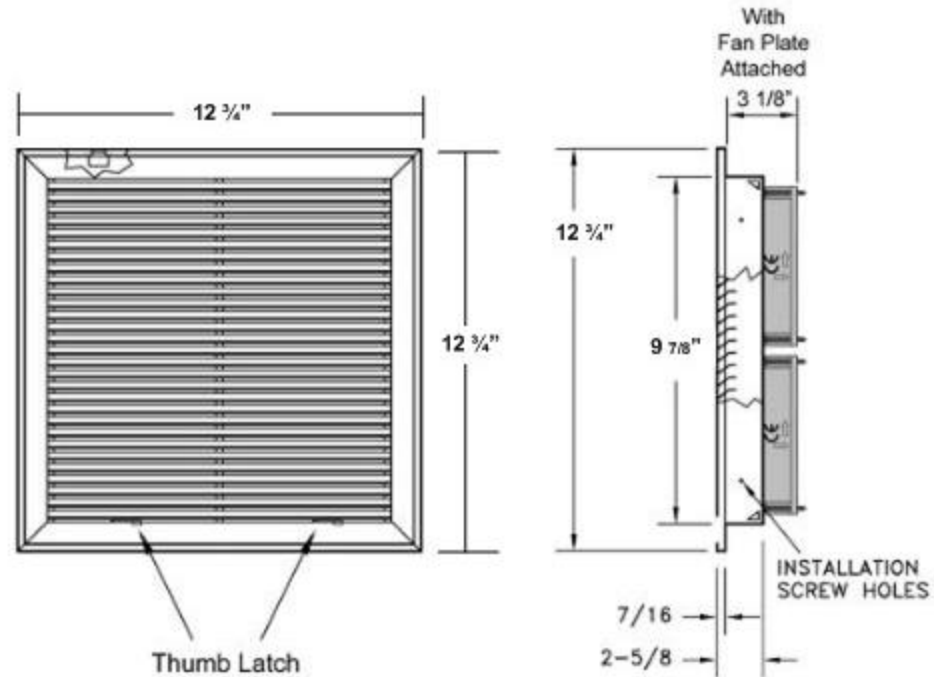
COOL COMPONENTS
INCORPORATED

3723 N Nebraska Avenue
Tampa, Florida 33603
813-322-3814
www.CoolComponents.com

SPECIFICATIONS:	Dimensions (Fan Assembly):	9 3/4" x 9 3/4" x 1 3/4" x 1 1/8"
	Dimensions (Grill Housing):	12 3/4" x 12 3/4" x 2 1/2"
	Cooling System:	4 - 92mm Magnetic Bearing Variable Voltage DC Fans
	Life Expectancy:	Housing & Brackets: Lifetime / Fans: 70,000 Hours
	Airflow:	160cfm Max/ High Velocity Version 200cfm (See note)
	Noise:	~35db (See note)
	Voltage/Amperage:	5-12V DC / 350mA @12v

Note: There are many challenges and misrepresentations when it comes to CFM and Noise specifications. One issue is limited standards for testing but perhaps the biggest issue is marketers more concerned with 'specs on paper' versus 'in the field'. CCI has been in biz more than 15 years and has the experience, high grade fans and supplies (only company using advanced technology bearings), proper approach (variable speed) and simply a reputation for quality products that operate as designed and specified.

DRAWING:



TROUBLESHOOTING:

The product is typically very reliable with very few issues. If the fans stop operating, first step in troubleshooting is if a temperature controller is being used, remove the controller and see if the fans run. Second is to check the power supply by reading the voltage with a voltmeter (or try with another fan unit if available). Ensure while testing that proper polarity is followed (Tip aligned with +). If still not functioning the fans may have failed and require replacement. If the fans makes an odd noise and have ensured nothing is interfering with the fan blades then the fan motor/bearing may have failed which is very rare. Also ensure the unit is not creating any sort of vibrations which can create odd noises.

If require additional assistance, please email support@coolcomponents.com

LONGEVITY & WARRANTY INFORMATION:

This unit is considered a 'lifetime' product. While the fans are rated to last 70,000 hours, the housings will last a lifetime and essentially indefinitely due to the heavy duty steel housing and finishing. Simply replace the fan assembly as necessary and the unit will once again be 'like new' with no need to shop for and re-order complete units...

This product is warranted for 3 years with proof of purchase from an authorized dealer, distributor, retailer. The warranty does not cover products that have been modified, damaged, or used in a way inconsistent with their intended purpose.

For warranty information or to file a claim, please email rainfo@coolcomponents.com